

The Swedish Initiative

Management of Information Exchange

Fredrik Nygren

The origin

- **”A law enforcement authority in a member state, which has the authority to investigate a certain crime or criminal activity in that state, shall have the right to request and get access to information registered in another member state that is needed for the investigation”**

Lars-Gunnar Johnsson, Swedish Police Attaché in Brussels, 1998

Problems

- Difficult, slow or even impossible to get information from other Member States
- Uncoordinated national laws and procedures for gathering and exchanging information
- Action is vertical
 - crimes or criminality
 - different authorities
 - different cooperation channels

Approach and objectives

- A horizontal approach to attack the basic problem; different national legislation
- A common legal framework for the exchange of information for all national law enforcement authorities;
- To close possible gaps between rules on EU level and national level.

Scope and limitations

- Information about persons in national registers
- Crime related
- Non crime related

- No sensitive information
- No coercive measures to get it
- Not for use as evidence

Negotiation and implementation

- What was not achieved with the initiative:
 - “Judicial” information and authorities
 - Simple forms
- FAQ during the implementation phase:
 - Channels to be used?
 - Technical solutions?

Two problems remain

1. The gap between law enforcement and judicial authorities and information

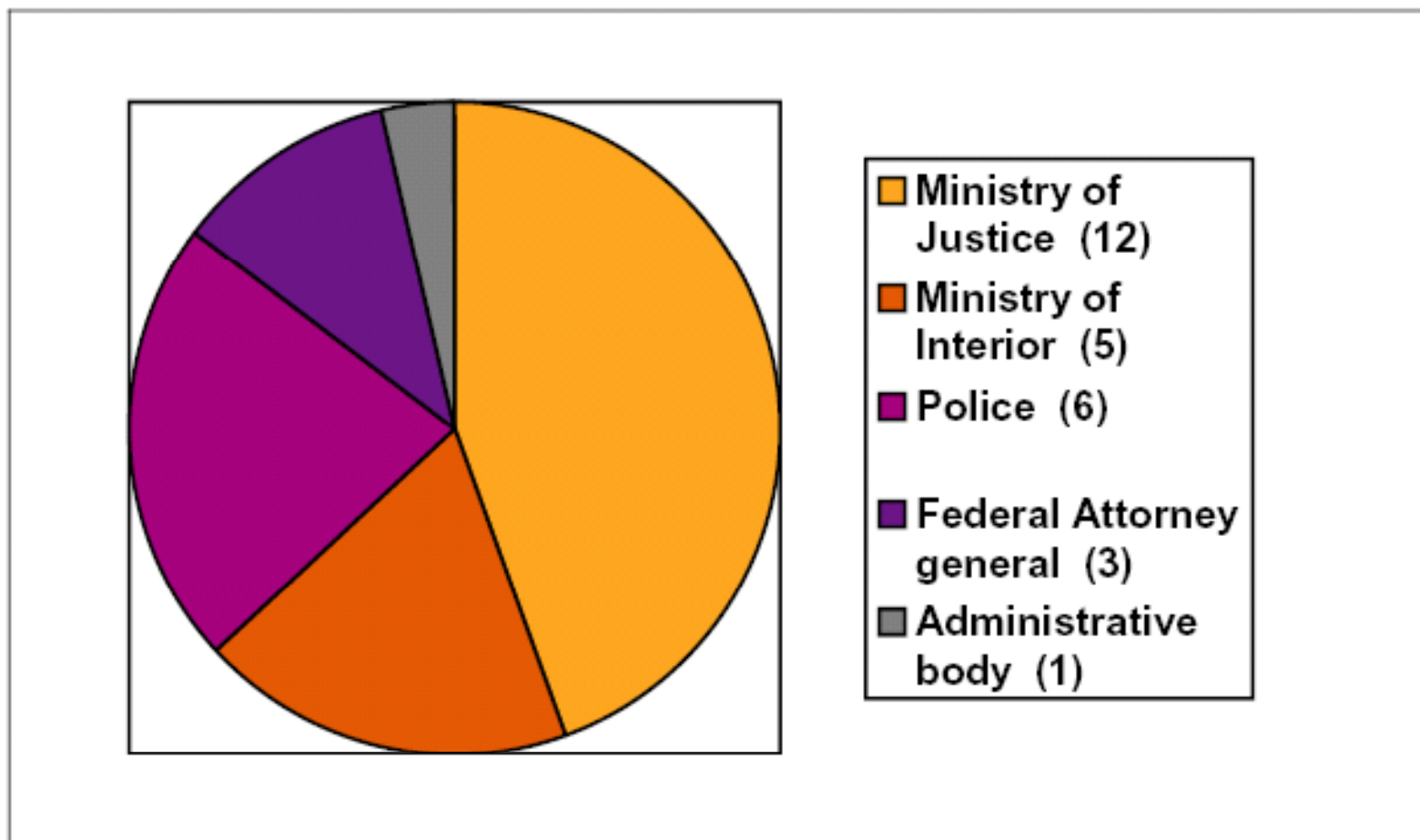


Figure 1 Authority in charge of the national criminal records system

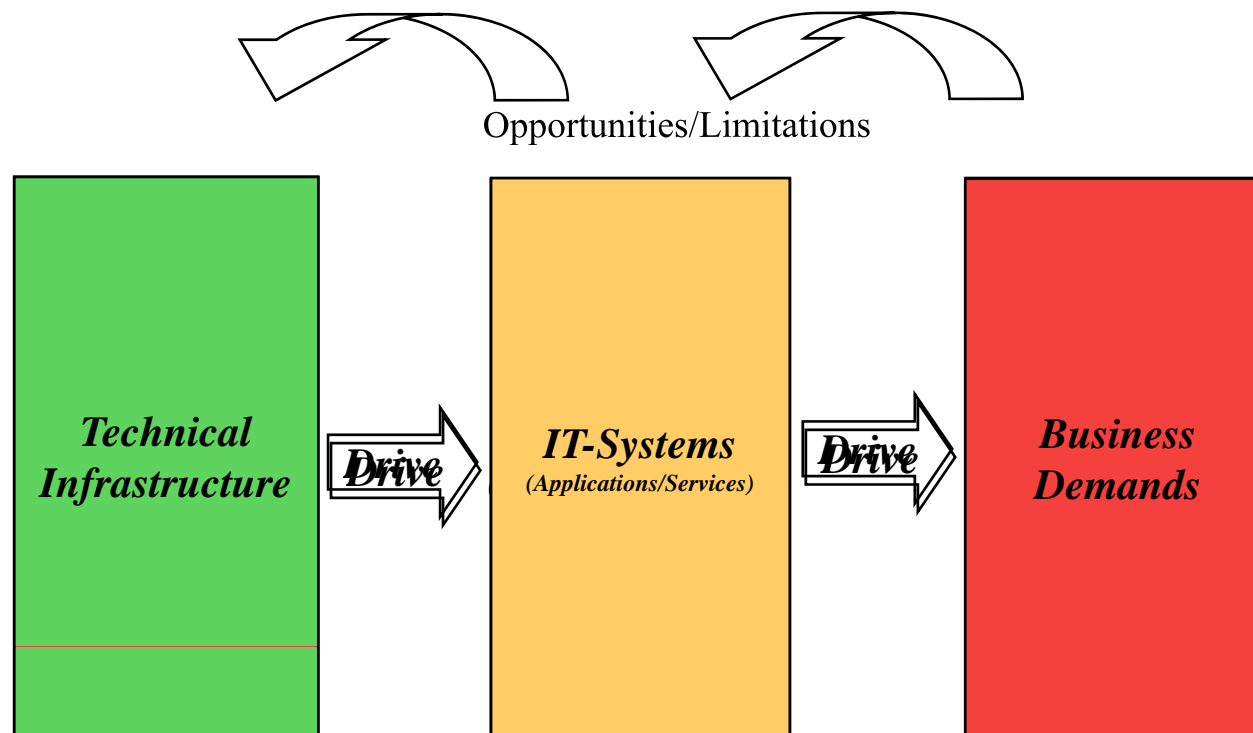
European Commission - DG Justice, Freedom and Security

Review of Criminal records systems in the EU, Bulgaria and Romania

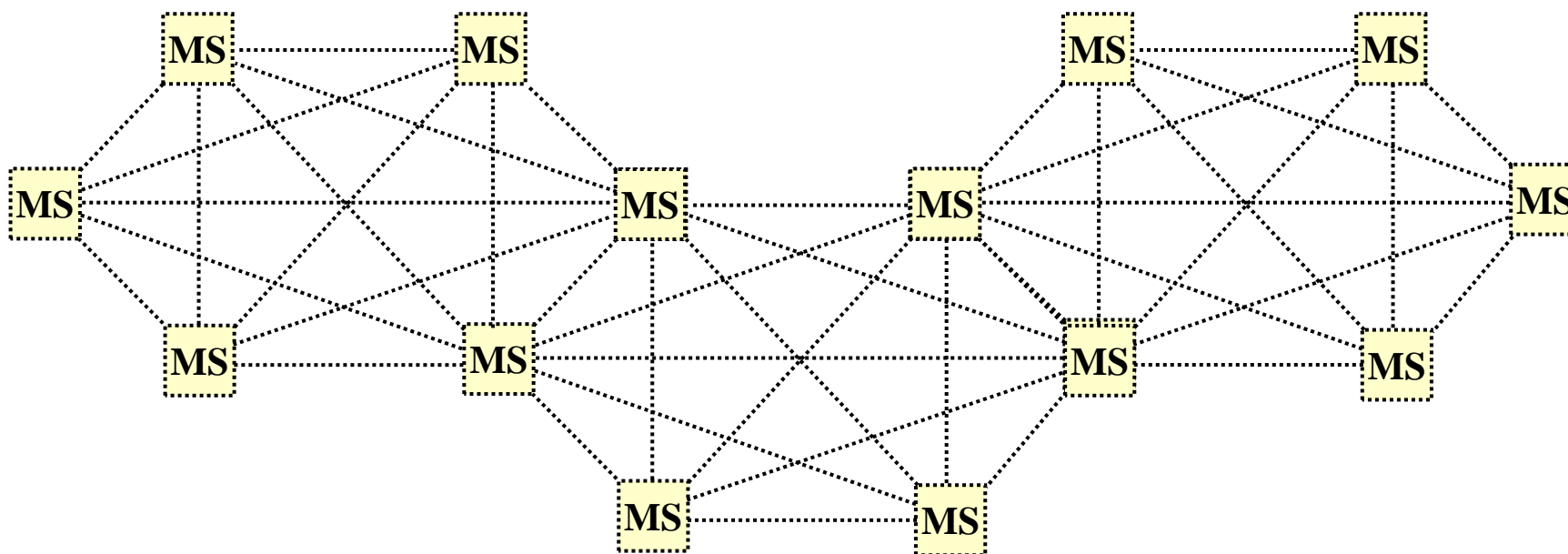
Two problems remain

1. There is still a gap between law enforcement and judicial authorities and information
2. Development of technical solutions is still technology driven, not business driven.

A Change of Direction? Business Driven IT-Development...

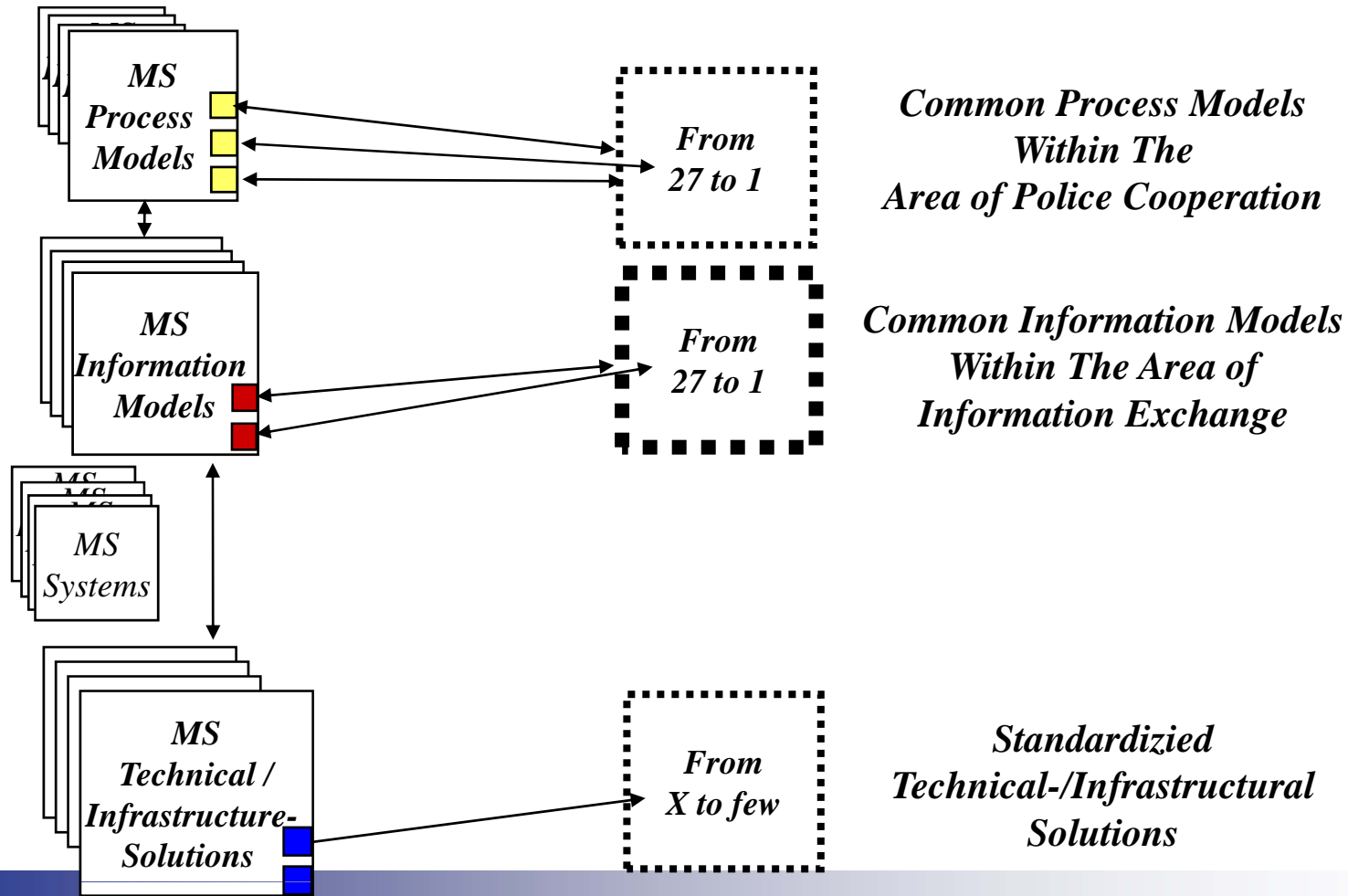


Lots of Information Sources, Duplicates... And, Technical Solutions?



How will the spiderweb look like with 27 Member States x 49 types of information if we don't take care of this in time?

Coordination/Dependencies



Some challenges

- Synchronization of parts of MS Police Force Model(s)
- Common or synchronized Information Model(s) regarding information supposed to be Exchanged
- Standardized interfaces, information contracts
- Common or synchronized security solution(s)
 - Identity Management (ex. role based access control)
 - Traceability (ex. logging)
 - Information Classification etc.
- Judicial issues
- Adherence to modern technology standards (ex. Web Services)

What is the Swedish initiative?

- A vision and a common legal base
- A minimum common denominator
- Technology neutral

What is the Swedish initiative NOT?

- Not a system
- Not even the reason for new systems/solutions!
- Not the solution to national problems

Thank you for your attention!

Contact details:

Fredrik Nygren

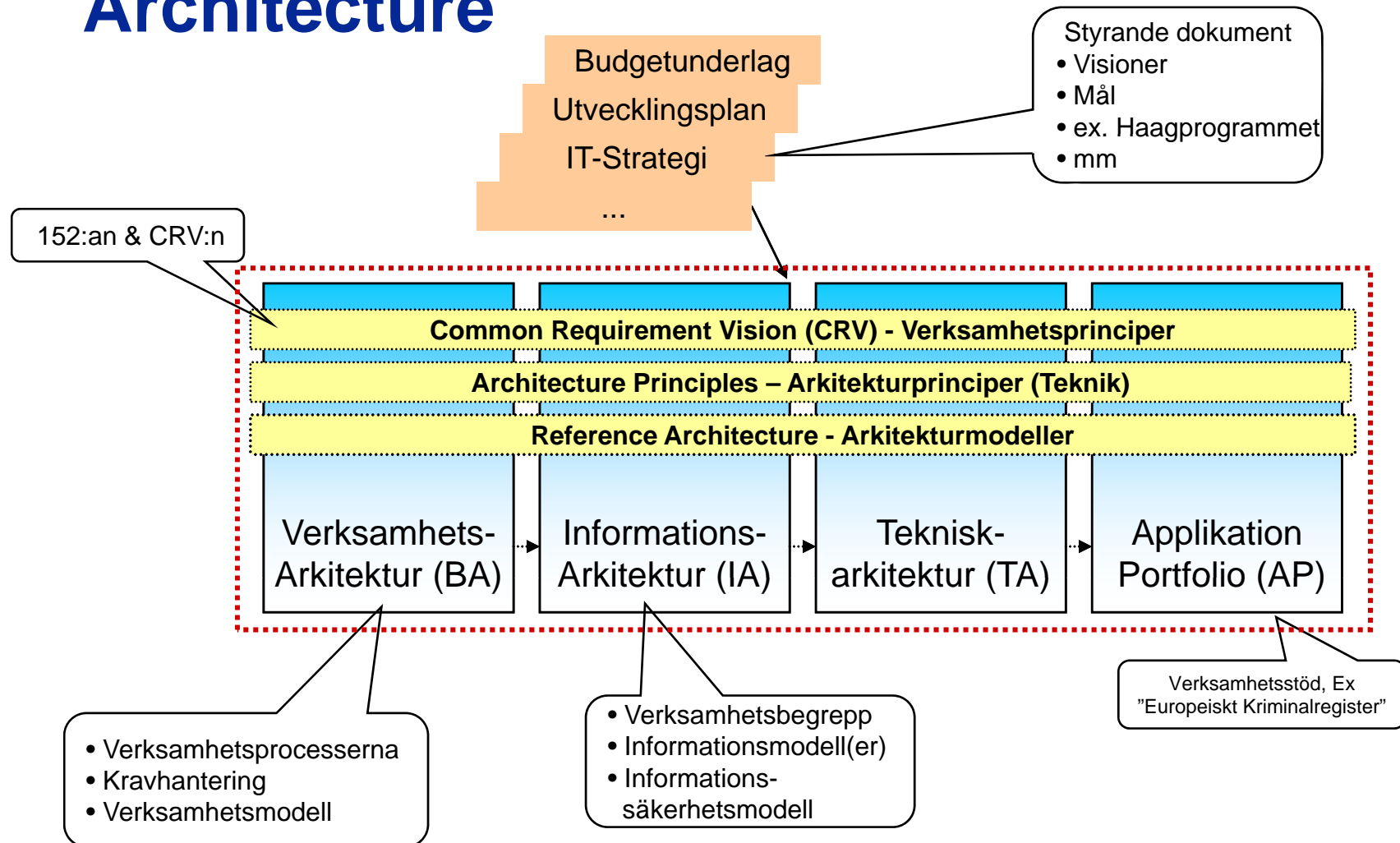
Ministry of Justice, Police Unit

S-103 33 Stockholm, Sweden

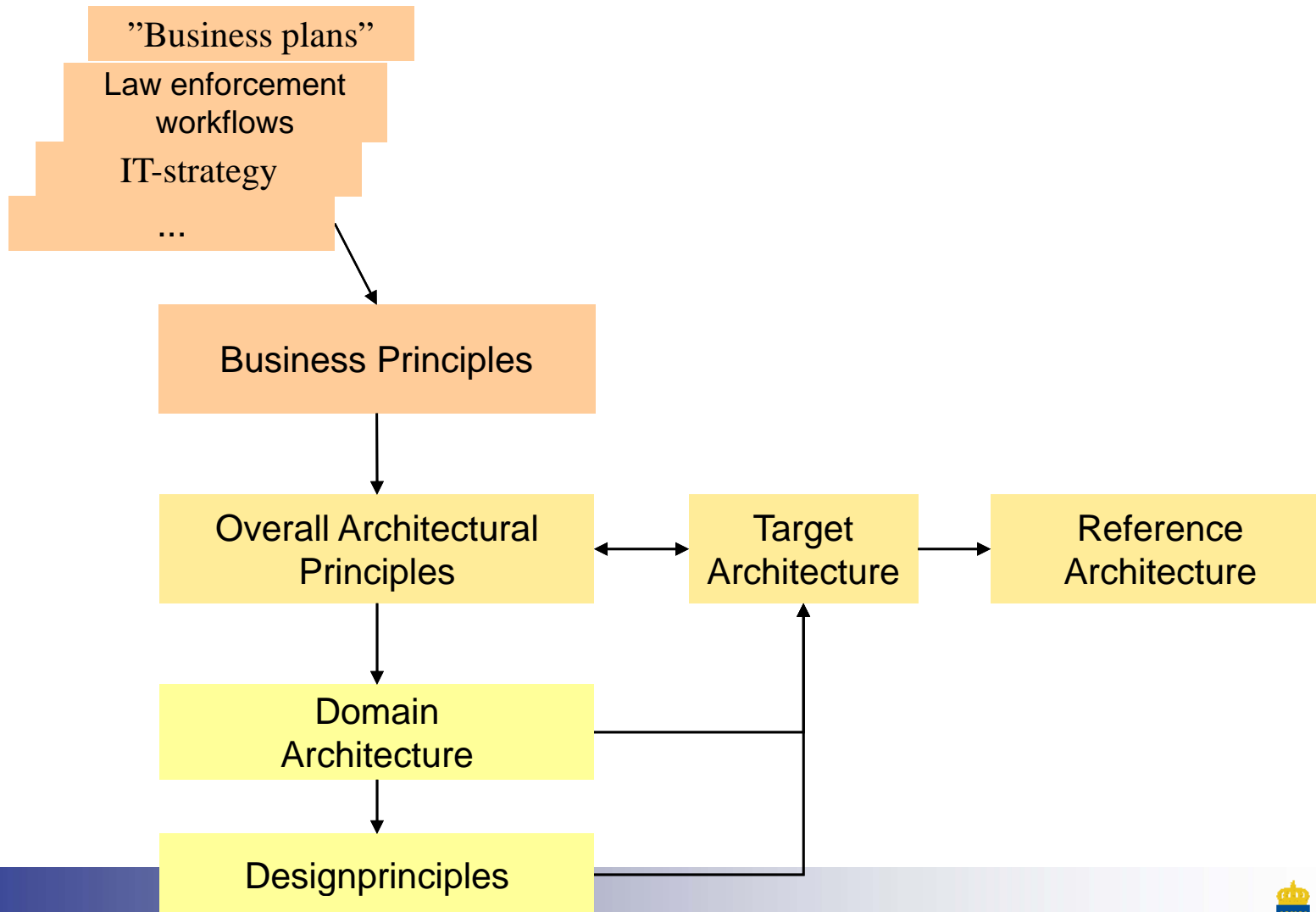
+46-8-405 38 43

fredrik.nygren@justice.ministry.se

One View of Enterprise Architecture



Guidelines - From where and for what



How, and Where to Find the Information Needed

